

UpLight Dinky



Features

- Marine grade 316 Stainless Steel with toughened glass front
- Our dinkiest marker light
- Can be powder coated to any RAL number
- Low light output
- Often used in cluster illuminations
- Dimmable

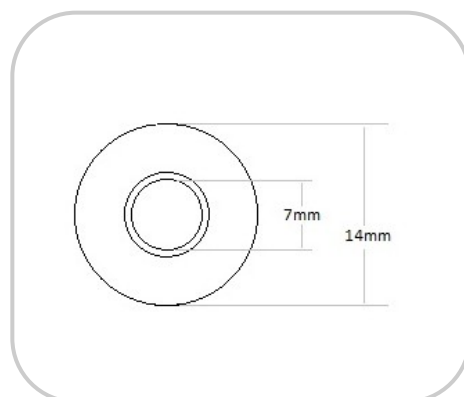
Specification

Input current	12V
Power	0.1 W
Colour Temperature (CT)	2700k, 3000k, 4500k, 6500k
Colours available	R / G / B / A
Beam Angle	30°
Glass	clear, frosted
IP Rating	IP64, IP67
CRI	>85
Estimated LED Lifespan	>50,000Hrs
LED	1x5mm
Operating Temperature	-20°c to 40°c



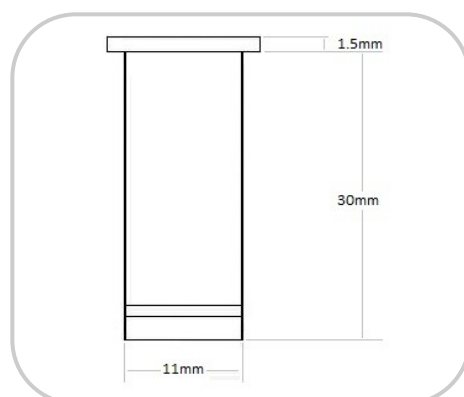
Light Output

	Lumen
2700k	<1
3000k	
4500k	
6500k	



Specification guide

		CT	Glass	Optic	IP Rating
UpLight	Dinky	___/	___/	___/	___/



Accessories

- Suitable drivers:
- Trailing edge, 1-10 Volt, DMX, DALI
- P400 IP68 cable connector
- Installation sleeve



Product specification subject to change without prior notice.