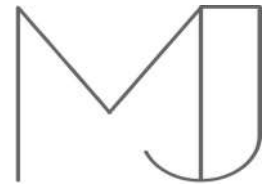
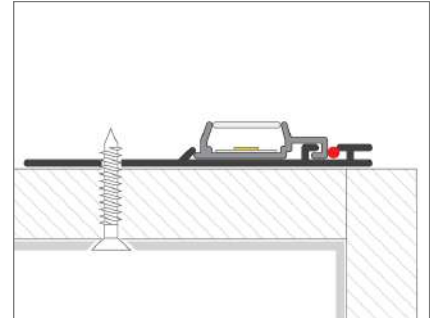
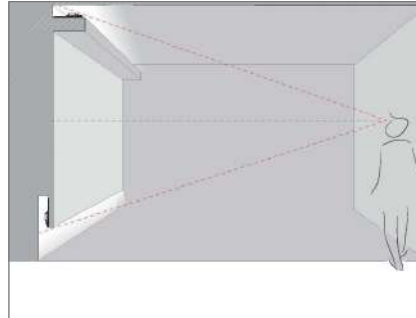


LightLine Cala F.



MADE IN BRITAIN



Features.

Extruded anodised aluminium profile in bespoke lengths
Cala Flat is a set of two profiles designed for recess illumination purposes
It consists of aluminium profile and extruded LED strip housing secured by use of silicon feed to create a complete set
The complete set enables the parallel direction of light to the wall
The strip is flat and is drywall mounted
The extrusion is mounted on the upper edge of the strip, where light is facing up

Accessories.

Multiple control gear options available

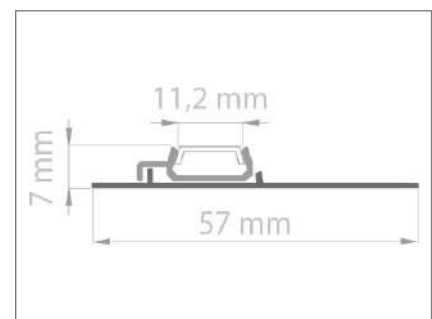
Specification.

Input Voltage	12 VDC, 24 VDC on request
LED	60, 120e, 120 / m
Power	4.8, 9.6, 14.4 W / m
Colour Temperature	2300K, 2700K, 3000K, 4500K, 6500K
Covers	Clear, Opal
IP Rating	IP50, IP54, IP65, IP67
CRI	83, 93
Estimated LED Lifespan	50,000 Hrs
LED	Epistar
Beam Angle	120°
Operating Temperature	-20°C to +45°C

Light Output.

(lumen/metre of LED internal)

	60 LED	120e LED	120 LED
3000K	310	640	1200
4500K	320	660	1320
6500K	380	780	1500



Product specification subject to change without prior notice.



MJ Lighting Technology Ltd

www.mjlighting.com

sales@mjlighting.com

+44 1829 741 702

V 2.0