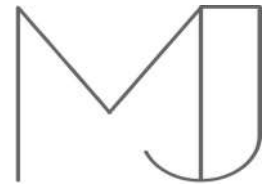


LightLine Up-Down



MADE IN BRITAIN



Features.

Extruded anodised aluminium in bespoke lengths,
Can be suspended or surface mounted.
Can fit a power supply
Designed for ambient light to shine up
Task light to shine down with maximum of approx
3390 lumen at 43 W / m
Power supply fits inside profile
Multiple light output options – white / colour
Homogenous glow with 120 LED pitch

Accessories.

End caps
Suspension kit

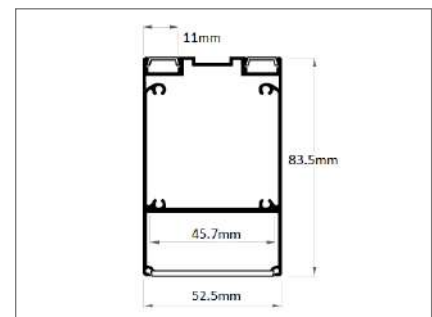
Specification.

Input Voltage	12 VDC 24 V on request
LED	60, 120e, 120
Power	4.8, 9.6, 14.4 W / m
Colour Temperature (CT)	2300 K, 2700 K, 3000 K 4500 K, 6500 K
3ch and 4ch options	RGB, RGB-W, RGB-A
Covers	Clear, Opal
IP Rating	IP51, IP54
CRI	83, 93
Estimated LED Lifespan	50,000 Hrs
LED	Epistar
Beam Angle	110°
Operating Temperature	-20°C to +45°C

Light Output.

(lumen/metre of LED internal per row)

	60 LED	120e LED	120 LED
3000 K	260	640	1100
4500 K	290	660	1130
6500 K	320	780	1160



Product specification subject to change without prior notice.



MJ Lighting Technology Ltd

www.mjlighting.com

sales@mjlighting.com

+44 1829 741 702