

UpLight Delamere 1



Features

- Marine grade 316 Stainless Steel with toughened glass front
- In-ground or wall mounted marker light
- Deep flange
- Can be powder coated to any RAL number
- Drive-over, Dimmable
- Constant current lights need to be wired in series
- Can be supplied with single SMD LED or 4x5mm LEDs

Specification

Input current	350mA (for SMD LED)
Input voltage	12V (for 4x5mm LEDs)
Power	1 W
Colour Temperature (CT)	2700k, 3000k, 4500k, 6500k
Colours available	R / G / B / A / RGB
Beam angle	25° for 5mm LEDs / 120° for SMD
Glass	clear, opal
IP Rating	IP64, IP67
CRI	83
Estimated LED Lifespan	>50,000Hrs
LED	4x5mm LEDs
Operating Temperature	-20°c to 40°c

Light Output

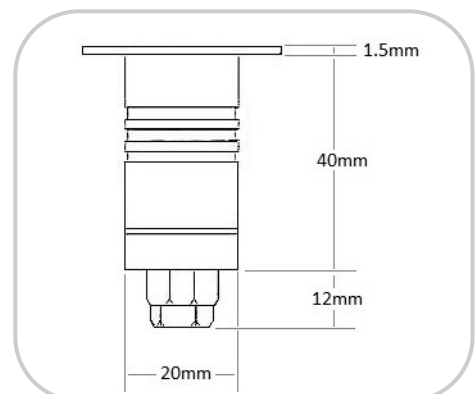
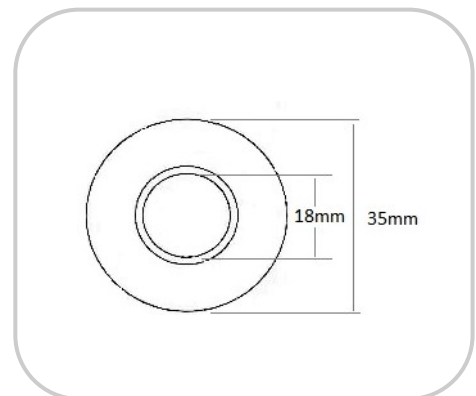
	1xRebel	4 LEDs
2700k	70 lm	4 lm
3000k	80 lm	4 lm
4500k	100 lm	4 lm
6500k	120 lm	4 lm

Specification guide

	CT	Glass	Optic	IP Rating
UpLight Delamere 1	___/___	___/___	___/___	___/___

Accessories

- Suitable drivers:
- Trailing edge, 1-10 Volt, DMX
- P400 IP68 cable connector
- Installation sleeve



Product specification subject to change without prior notice.