

UpLight Sherwood 3G



Features

- Marine grade 316 Stainless Steel with toughened glass front
- Heavy weight gimble head in-ground up-light with gimble
- Adjustable tilt of 30°
- Straight or bevelled edge top
- Can be powder coated to any RAL number
- Dimmable, Drive over
- Constant current lights need to be wired in series

Specification

Input current	350mA
Power	3W
Colour Temperature (CT)	2700k, 3000k, 4500k, 6500k, RGB
Colours available	R / G / B / A or RGB
Glass	clear, opal, frosted
Optic	9°, 19°, 35°, 120° (40x10)
IP Rating	IP64, IP67
CRI	83
Estimated LED Lifespan	>50,000hrs
LED	3xRebel
Operating Temperature	-20°c to 40°c

Light Output

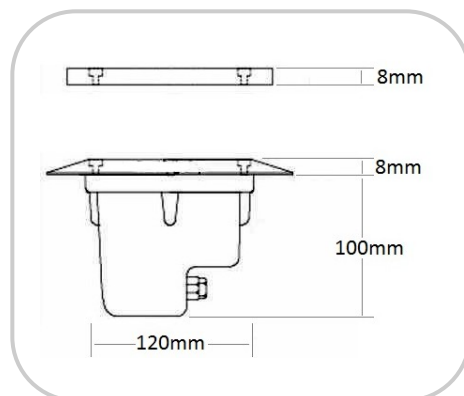
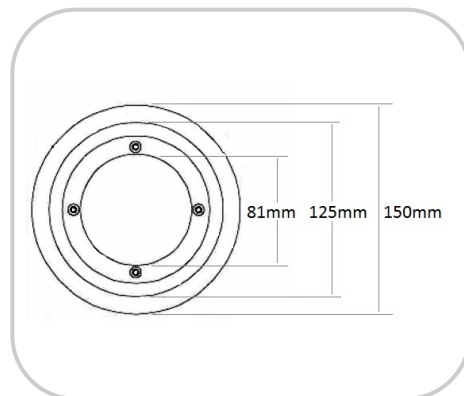
	3xRebel
2700k	210
3000k	240
4500k	300
6500k	360

Specification guide

		CT	Glass	Optic	IP Rating
UpLight	Sherwood 3G	___/	___/	___/	___/

Accessories

- Suitable drivers:
- Trailing edge, 1-10 Volt, DMX
- P400 IP68 cable connector
- Installation sleeve
- U-bracket



Product specification subject to change without prior notice.