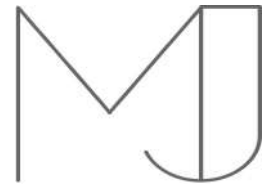


LightCurve B CRI90.



Features.

Flexible Homogenous LED Linear
 High quality
 Single colour
 Standard brightness High CRI
 Fully encapsulated
 Suitable for curved as well as straight line installations.
 Small bend radius of just 30 cm (only one axis)
 Flame, UV, solvents and water resistant
 55.6 mm cut increment
 Cable feed options: end, side or rear
 3 Year Warranty

Accessories.

Standard mounting clips
 Mounting channel
 Curved mounting channel
 Suspension kit

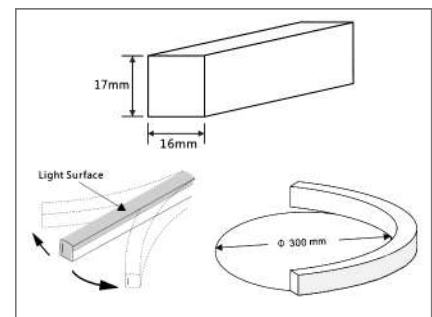
Specification.

Input Voltage	24 VDC
Power	12 W/m
LEDs	108/m
Colour	2500K, 2700K 3000K, 4000K
Max continuous length	10 m (powered from one end)
IP Rating	IP 68
LED Estimated Life Span	50,000 Hrs
LED	SMD
CRI	≥ 90
Beam Angle	160°
Operating Temperature	-20 °C to +45 °C

Light Output.

(lumen/metre of LED internal)

	108 LEDs
2500K, 2700K, 3000K	360 lm/m
4000K	400 lm/m



Product specification subject to change without prior notice.

