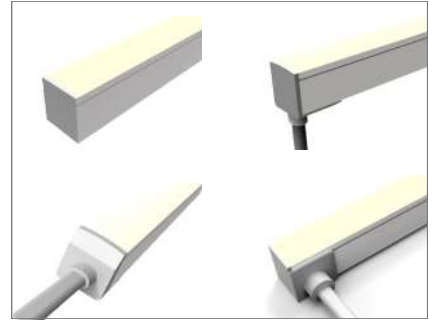
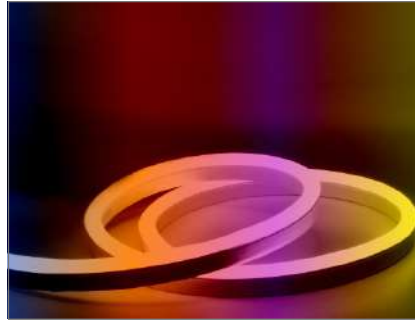
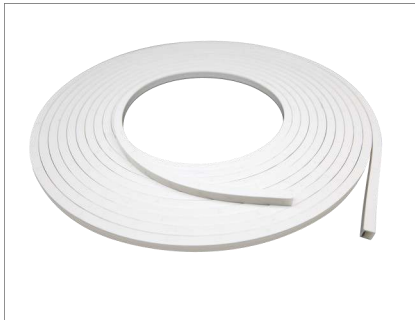
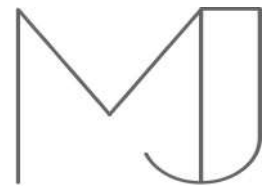


LightCurve RGB.



Features.

Flexible Homogenous LED Linear
 High quality
 RGB
 Standard brightness
 Fully encapsulated
 Suitable for curved as well as straight line installations.
 Small bend radius of just 30 cm (only one axis)
 Flame, UV, solvents and water resistant
 100 mm cut increment
 Cable feed options: end, side or rear
 3 Year Warranty

Accessories.

Standard mounting clips
 Mounting channel
 Curved mounting channel
 Suspension kit

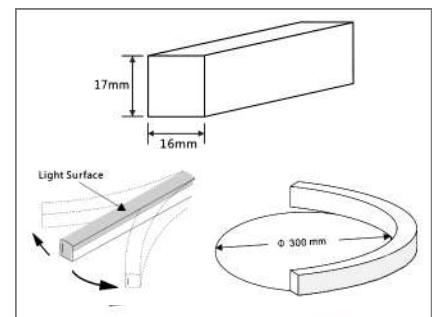
Specification.

Input Voltage 24 VDC
 Power 12 W/m
 LEDs 60/m
 Colour RGB
 Max continuous length 7 m
 (powered from one end)
 IP Rating IP 68
 LED Estimated Life Span 50,000 Hrs
 LED SMD
 CRI ≥ 80
 Beam Angle 160°
 Operating Temperature -20 °C to +45 °C

Light Output.

(lumen/metre of LED internal)

	56 LEDs
Red	20 lm/m
Green	75 lm/m
Blue	15 lm/m



Product specification subject to change without prior notice.

