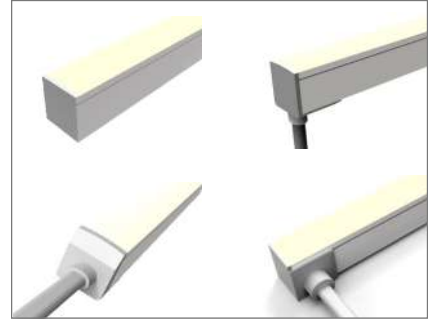
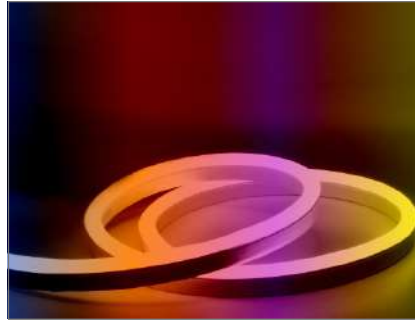
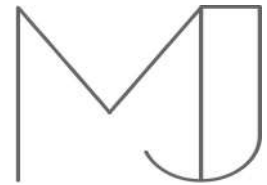


LightCurve RGBW.



Features.

- Flexible Homogenous LED Linear
- High quality
- RGBW
- Standard brightness
- Fully encapsulated
- Suitable for curved as well as straight line installations.
- Small bend radius of just 30 cm (only one axis)
- Flame, UV, solvents and water resistant
- 100 mm cut increment
- Cable feed options: end, side or rear
- 3 Year Warranty

Accessories.

- Standard mounting clips
- Mounting channel
- Curved mounting channel
- Suspension kit

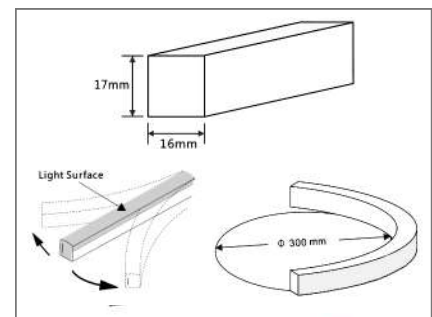
Specification.

- Input Voltage 24 VDC
- Power 15 W/m
- LEDs 60/m
- Colour RGB + 2700K
RGB + 4000K
- Max continuous length 5 m
(powered from one end)
- IP Rating IP 68
- LED Estimated Life Span 50,000 Hrs
- LED SMD
- CRI ≥ 80
- Beam Angle 160°
- Operating Temperature -20 °C to +45 °C

Light Output.

(lumen/metre of LED internal)

	56 LEDs
Red	40 lm/m
Green	120 lm/m
Blue	25 lm/m
2700K	120 lm/m
4000K	120 lm/m



Product specification subject to change without prior notice.

