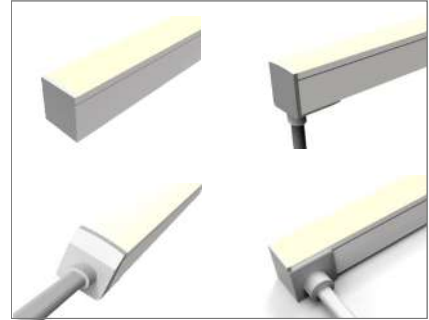
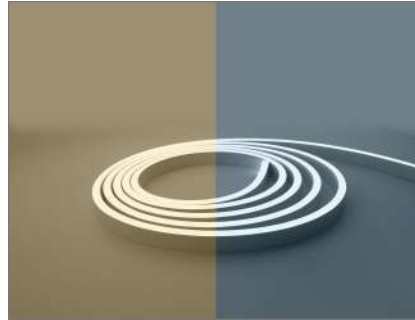
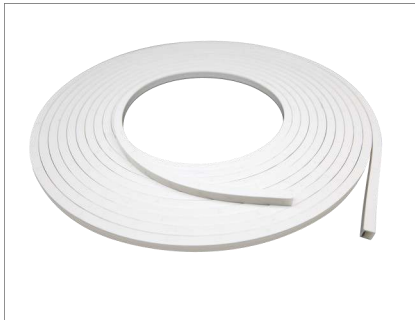
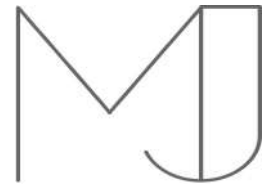


LightCurve Tunable White.



Features.

Flexible Homogenous LED Linear
High quality
Tunable, Dual colour
Standard brightness
Fully encapsulated
Suitable for curved as well as straight line installations.
Small bend radius of just 30 cm (only one axis)
Flame, UV, solvents and water resistant
83.3 mm cut increment
Cable feed options: end, side or rear
3 Year Warranty

Accessories.

Standard mounting clips
Mounting channel
Curved mounting channel
Suspension kit

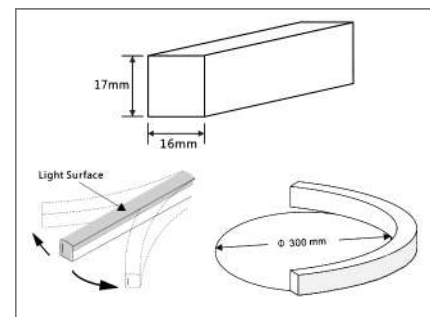
Specification.

Input Voltage	24 VDC
Power	12 W/m
LEDs	144/m
Colour	Dynamic White 2500K - 5000K
Max continuous length	10 m (powered from one end)
IP Rating	IP 68
LED Estimated Life Span	50,000 Hrs
LED	SMD
CRI	≥ 80
Beam Angle	160°
Operating Temperature	-20 °C to +45 °C

Light Output.

(lumen/metre of LED internal)

	84 LEDs
2500K	180 lm/m
3500K	180 lm/m
5000K	360 lm/m



Product specification subject to change without prior notice.

