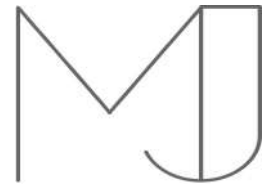


LightWave Green.



Features.

- Flexible Homogenous LED Linear
- High quality
- Single colour
- Standard brightness
- Fully encapsulated
- Suitable for curved as well as straight line installations.
- Small bend radius of just 30 cm (only one axis)
- Flame, UV, solvents and water resistant
- 55.6 mm cut increment
- Cable feed entry options: end, side or rear
- 3 Year Warranty

Accessories.

- Standard mounting clips
- Mounting channel
- Curved mounting channel
- Suspension kit

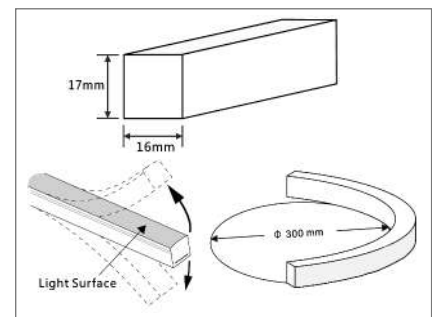
Specification.

- Input Voltage 24 VDC
- Power 12 W/m
- LEDs 108/m
- Colour Green
- Max continuous length 10 m (powered from one end)
- IP Rating IP 68
- LED Estimated Life Span 50,000 Hrs
- LED SMD
- CRI ≥ 80
- Beam Angle 160°
- Operating Temperature -20 °C to +45 °C

Light Output.

(lumen/metre of LED internal)

	108 LEDs
Green	300 lm/m



Product specification subject to change without prior notice.

