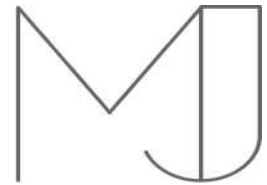


LightWave RGB.



Features.

Flexible Homogenous LED Linear
High quality
RGB
Standard brightness
Fully encapsulated
Suitable for curved as well as straight line installations.
Small bend radius of just 30 cm (only one axis)
Flame, UV, solvents and water resistant
Cable feed entry options: end, side or rear
83.3 mm cut increment
3 Year Warranty

Accessories.

Standard mounting clips
Mounting channel
Curved mounting channel
Suspension kit

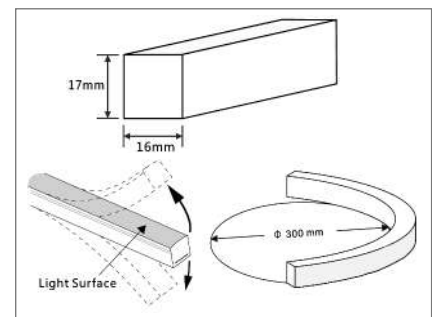
Specification.

Input Voltage	24 VDC
Power	12 W/m
LEDs	84/m
Colour	RGB
Max continuous length	7 m (powered from one end)
IP Rating	IP 68
LED Estimated Life Span	50,000 Hrs
LED	SMD
CRI	≥ 80
Beam Angle	160°
Operating Temperature	-20 °C to +45 °C

Light Output.

(lumen/metre of LED internal)

	84 LEDs
Red	60 lm/m
Green	225 lm/m
Blue	33 lm/m



Product specification subject to change without prior notice.

