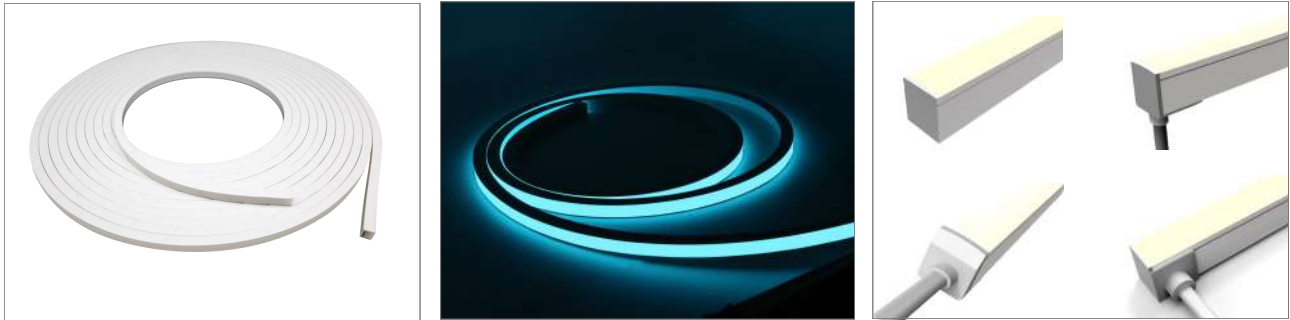
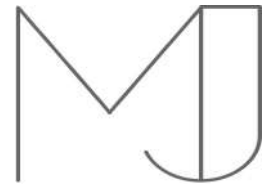


LightWave RGBW.



Features.

Flexible Homogenous LED Linear
 High quality
 RGBW
 Standard brightness
 Fully encapsulated
 Suitable for curved as well as straight line installations.
 Small bend radius of just 30 cm (only one axis)
 Flame, UV, solvents and water resistant
 83.3 mm cut increment
 Cable feed entry options: end, side or rear
 3 Year Warranty

Accessories.

Standard mounting clips
 Mounting channel
 Curved mounting channel
 Suspension kit

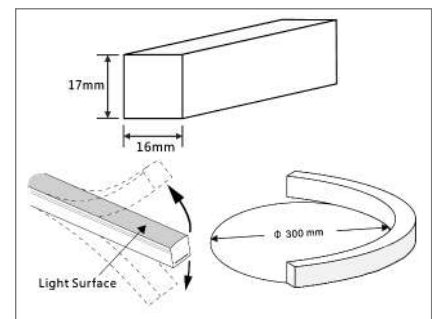
Specification.

Input Voltage	24 VDC
Power	15 W/m
LEDs	84/m
Colour	RGB + 2700K RGB + 4000K
Max continuous length	5 m (powered from one end)
IP Rating	IP 68
LED Estimated Life Span	50,000 Hrs
LED	SMD
CRI	≥ 80
Beam Angle	160°
Operating Temperature	-20 °C to +45 °C

Light Output.

(lumen/metre of LED internal)

	84 LEDs
Red	60 lm/m
Green	200 lm/m
Blue	35 lm/m
2700K	170 lm/m
4000K	170 lm/m



Product specification subject to change without prior notice.

