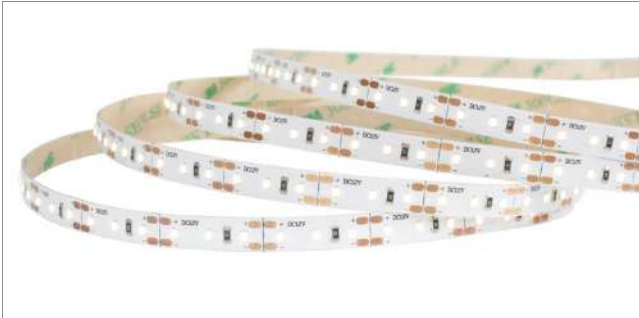
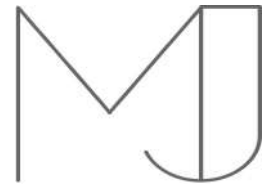


LightFlex CRI97+ 120E LED.



Features.

- High CRI 120 LEDs per metre
- Low heat, no UV or IR light radiation
- Supplied in custom lengths
- Dimmable
- 3 years warranty

Accessories:

Multiple control gear options available

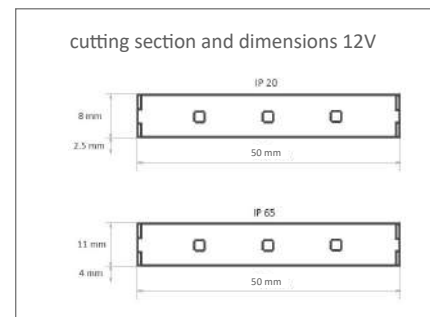
Specification.

Input Voltage	12 VDC (24 available)
LED	120 / m
Power	9.6 W / m
Colour Temperature (CT)	2700K, 3000K 4500K
CRI	>97
IP Rating	IP20, IP65
LED Estimated Life Span	50,000 Hrs
LED type	Epistar
Beam Angle	120°
Operating Temperature	-20°C to +45°C
Cutting Section	25mm – 12V 50mm – 24V

Light Output.

(lumen/metre of LED internal)

	120E LED
2700K	560
3000K	596
4500K	700



Product specification subject to change without prior notice.

