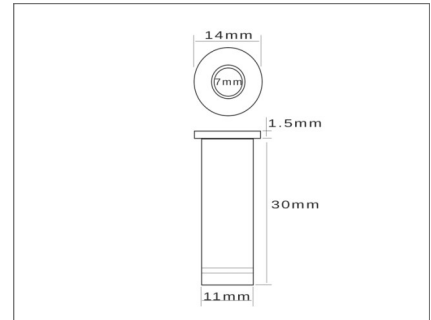
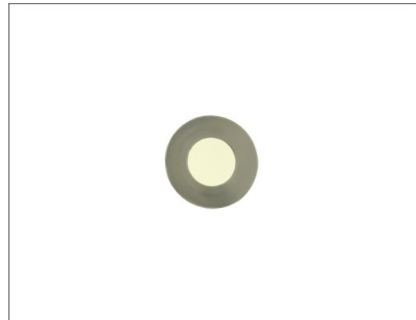
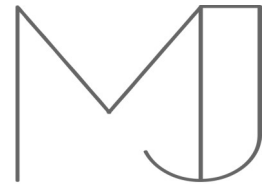


UpLight Dinky.



Features.

- Marine grade 316 Stainless Steel with toughened glass front
- Our dinkiest marker light
- Can be powder coated to any RAL number
- Low light output
- Often used in cluster illuminations
- Dimmable

Accessories.

- Multiple control gear options available

Specification.

Input current	350mA
Power	0.1 W
Colour Temperature	2700K, 3000K, 4500K, 6500K
Colours available	R / G / B / A
Beam Angle	30°
Glass	clear, frosted
IP Rating	IP64, IP67
CRI	>85
Estimated LED Lifespan	>50,000Hrs
LED	1x5mm
Operating Temperature	-20°C to 40°C

Light Output.

(lumen/metre of LED internal)

	Lumen
2700k	<1
3000k	
4500k	
6500k	

Product specification subject to change without prior notice.

