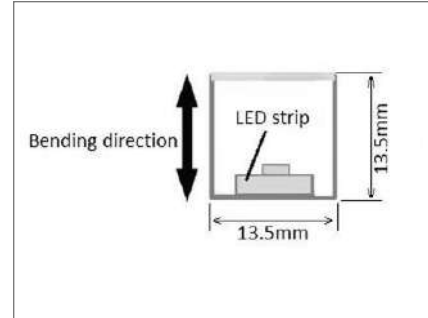
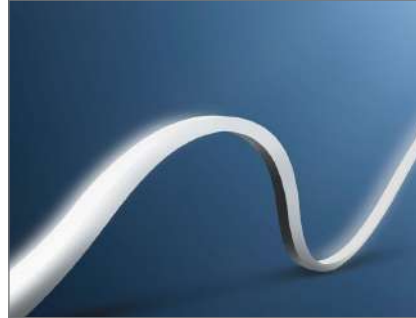
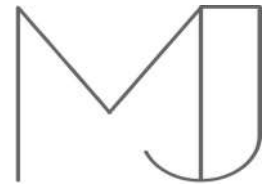


LightFlex Wave B.



Features.

- Unique design gives homogenous glow
- Small bend radius of just 15cm (only one axis)
- Resistant against water, UV radiation, chemicals and abrasion
- Clear or Opal Cover options
- Supplied in custom lengths only
- Dimmable

Accessories.

- Standard mounting clips
- Mounting channel

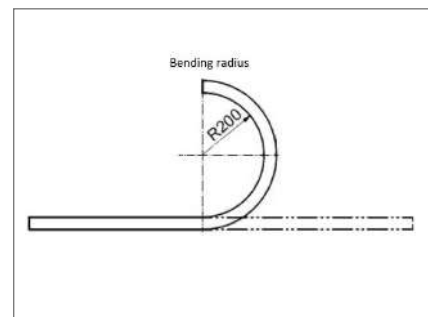
Specification.

Input Voltage	24 VDC
Input Current	0.75 A / m
Power	8 W / m
IP Rating	IP67 (IP68 available)
LED	100 / m
LED Estimated Life Span	50,000 Hrs
CRI	85
Beam Angle	120
Operating Temperature	-20° C to +52° C
Max operating length	7580 mm

Light Output.

(lumen/metre of LED internal)

Warm white	2800K	684 lm/m
Warm white	3200K	687 lm/m
Neutral white	4200K	759 lm/m
Cool white	6500K	740 lm/m



Product specification subject to change without prior notice.

