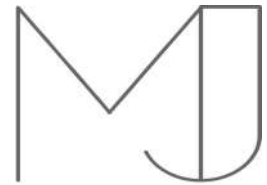
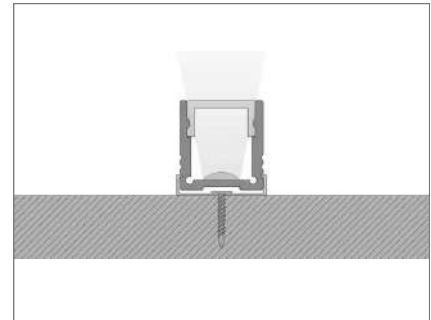


LightLine Reflect.



MADE IN BRITAIN



Features.

- Extruded anodised aluminium in bespoke lengths
- Attractive profile designed to be seen
- Unique swivel top cover adjusts light throw either side
- Cove light profile with integrated cable duct for indirect lighting where there is no existing cove on site
- Multiple light output options – white / colour
- Homogenous glow with 120 and 204 LED pitch
- Flush fitting cover

Accessories.

- Standard mounting clips
- End caps

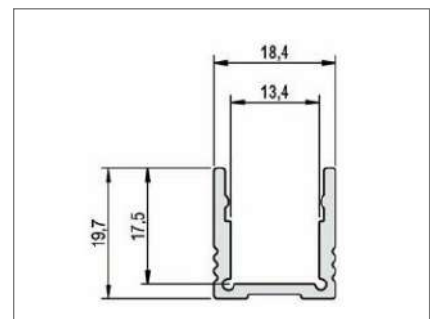
Specification.

Input Voltage	12 VDC 24 on request
LED	60, 120e, 120
Power	4.8, 9.6, 14.4 W / m
Colour Temperature (CT)	2300K, 2700K, 3000K 4500K, 6500K
3ch options	RGB
Covers	Clear, Frosted Clear 30°, Frosted 30°
IP Rating	IP50, IP54, IP65
CRI	83, 93
Estimated LED Lifespan	50,000 Hrs
LED	Epistar
Beam Angle	120°, 30°
Operating temperature	-20°C to +45°C

Light Output.

(lumen/metre of LED internal)

	60 LED	120e LED	120 LED
3000K	310	640	1200
4500K	320	660	1320
6500K	380	780	1500



Product specification subject to change without prior notice.

