

# UpLight Spike



## Features

Stainless Steel with toughened glass front and installation spike  
 45° tilting head  
 Can be powder coated to any RAL number  
 Constant current lights need to be wired in series  
 Dimmable

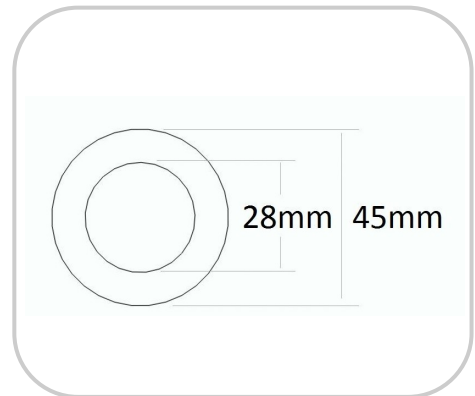
## Specification

|                         |                                 |
|-------------------------|---------------------------------|
| Input current           | 350mA                           |
| Power (Watts)           | 3W                              |
| Colour Temperature (CT) | 2700k, 3000k, 4500k, 6500k, RGB |
| Colours available       | R / G / B / A / RGB             |
| Glass                   | clear                           |
| Optic                   | 9°, 19°, 35°, 120° (40°x10°)    |
| IP Rating               | IP64, IP67                      |
| CRI                     | 83                              |
| Estimated LED Lifespan  | >50,000Hrs                      |
| LED                     | 3xRebel                         |
| Operating Temperature   | -20°c to 40°c                   |



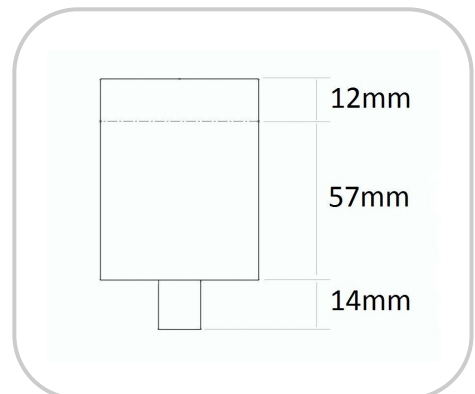
## Light Output

|       | 3xRebel |
|-------|---------|
| 2700k | 210     |
| 3000k | 240     |
| 4500k | 300     |
| 6500k | 360     |



## Specification guide

|               | CT   | Glass | Optic | IP Rating |
|---------------|------|-------|-------|-----------|
| UpLight Spike | ___/ | ___/  | ___/  | ___/      |



## Accessories

Suitable drivers:  
 Trailing edge, 1-10 Volt, DMX  
 P400 IP68 cable connector



Product specification subject to change without prior notice.