

# UpLight Torpedo



## Features

- Marine grade 316 Stainless Steel with toughened glass front
- Surface mounted adjustable spotlight
- Can be powder coated to any RAL number
- Discrete cabling
- Up to 360 lumens light output
- Constant current lights need to be wired in series
- Dimmable

## Specification

Input Current	12V
Power	3W
Colour Temperature (CT)	2700k, 3000k, 4500k, 6500k,
Colours available	R / G / B / A / RGB
Glass	clear, opal
Optic	9°, 19°, 35°, 120°, (40x10)
IP Rating	IP64, IP67
CRI	83
Estimated LED Lifespan	>50,000Hrs
LED	3xRebel
Operating Temperature	-20°c to 40°c

## Light Output

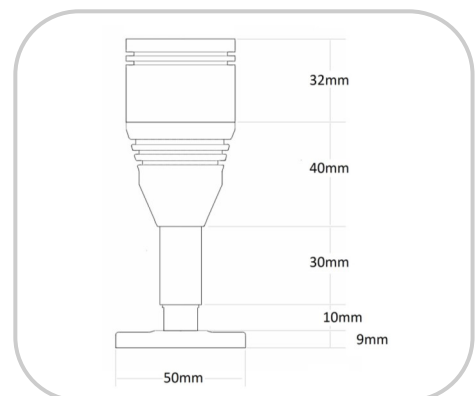
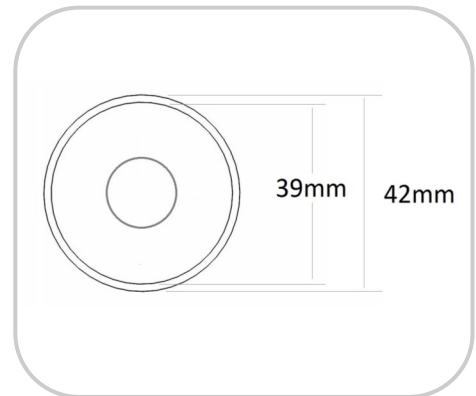
	3xRebel
2700k	210
3000k	240
4500k	300
6500k	360

## Specification guide

	CT	Glass	Optic	IP Rating
UpLight Torpedo	___/	___/	___/	___/

## Accessories

- Suitable drivers:
- Trailing edge, 1-10 Volt, DMX
- P400 IP68 cable connector



Product specification subject to change without prior notice.