

UpLight Sherwood 6 plus



Features

- Marine grade 316 Stainless Steel with toughened glass front
- Heavy duty 6 watt in ground up-light
- Straight or bevelled edge top
- Can be powder coated to any RAL number
- Constant current lights need to be wired in series
- Dimmable, Drive over

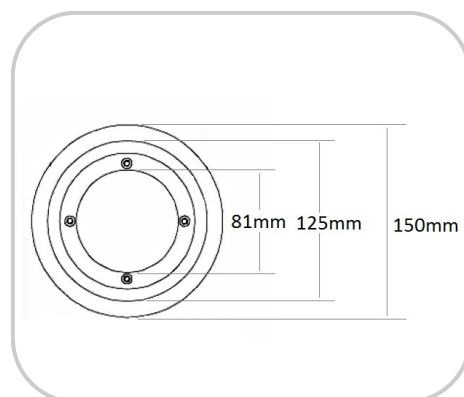
Specification

Input current	350mA
Power	6W
Colour Temperature (CT)	2700K, 3000K, 4500K, 6500K,
Colours available	R / G / B / A / RGB
Glass	clear, opal
Optics	9°, 19°, 35°, 120°, (40x10)
IP Rating	IP64, IP67
CRI	83
Estimated LED Lifespan	>50,000hrs
LED	6xRebel
Operating Temperature	-20°c to 40°c



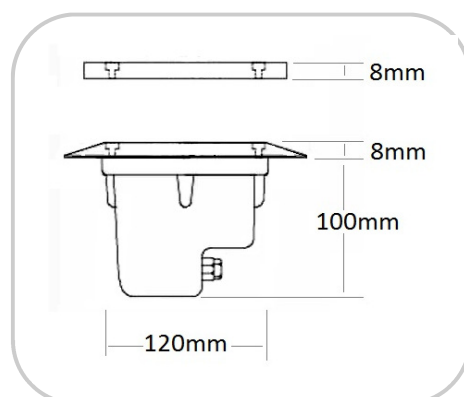
Light Output

	6xRebel
2700k	420
3000k	480
4500k	600
6500k	720



Specification guide

		CT	Glass	Optic	IP Rating
UpLight	Sherwood 6	___/	___/	___/	___/



Accessories

- Suitable drivers:
- Trailing edge, 1-10 Volt, DMX
- P400 IP68 cable connector
- Installation sleeve
- U-bracket



Product specification subject to change without prior notice.