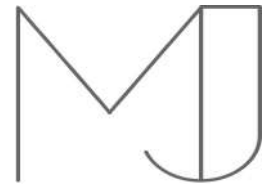


LightCurve Blue.



Features.

Flexible Homogenous LED Linear
 High quality
 Single colour
 Standard brightness
 Fully encapsulated
 Suitable for curved as well as straight line installations.
 Small bend radius of just 30 cm (only one axis)
 Flame, UV, solvents and water resistant
 55.6 mm cut increment
 Cable feed options: end, side or rear
 3 Year Warranty

Accessories.

Standard mounting clips
 Mounting channel
 Curved mounting channel
 Suspension kit

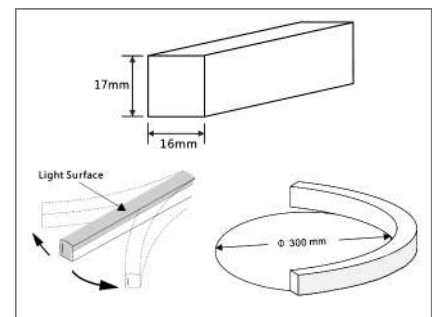
Specification.

Input Voltage 24 VDC
 Power 12 W/m
 LEDs 108/m
 Colour Blue
 Max continuous length 10 m
 (powered from one end)
 IP Rating IP 68
 LED Estimated Life Span 50,000 Hrs
 LED SMD
 CRI ≥ 80
 Beam Angle 160°
 Operating Temperature -20 °C to +45 °C

Light Output.

(lumen/metre of LED internal)

	108 LEDs
Blue	50 lm/m



Product specification subject to change without prior notice.

