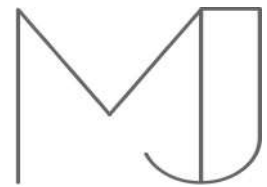


# LightWave Blue.



## Features.

- Flexible Homogenous LED Linear
- High quality
- Single colour
- Standard brightness
- Fully encapsulated
- Suitable for curved as well as straight line installations.
- Small bend radius of just 30 cm (only one axis)
- Flame, UV, solvents and water resistant
- 55.6 mm cut increment
- Cable feed entry options: end, side or rear
- 3 Year Warranty

## Accessories.

- Standard mounting clips
- Mounting channel
- Curved mounting channel
- Suspension kit

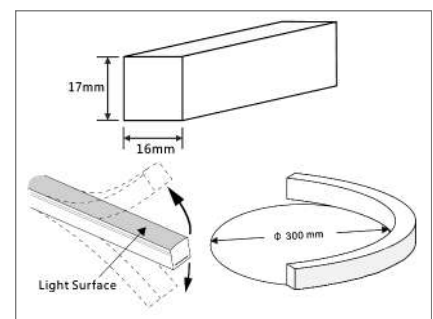
## Specification.

- Input Voltage 24 VDC
- Power 12 W/m
- LEDs 108/m
- Colour Blue
- Max continuous length 10 m  
(powered from one end)
- IP Rating IP 68
- LED Estimated Life Span 50,000 Hrs
- LED SMD
- CRI  $\geq 80$
- Beam Angle 160°
- Operating Temperature -20 °C to +45 °C

## Light Output.

(lumen/metre of LED internal)

	108 LEDs
Blue	50 lm/m



Product specification subject to change without prior notice.

