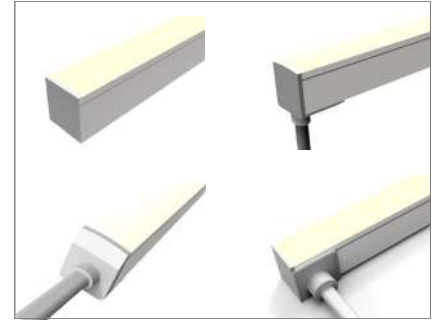
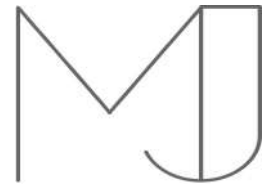


# LightWave Red.



## Features.

Flexible Homogenous LED Linear  
 High quality  
 Single colour  
 Standard brightness  
 Fully encapsulated  
 Suitable for curved as well as straight line installations.  
 Small bend radius of just 30 cm (only one axis)  
 Flame, UV, solvents and water resistant  
 83.3 mm cut increment  
 Cable feed entry options: end, side or rear  
 3 Year Warranty

## Accessories.

Standard mounting clips  
 Mounting channel  
 Curved mounting channel  
 Suspension kit

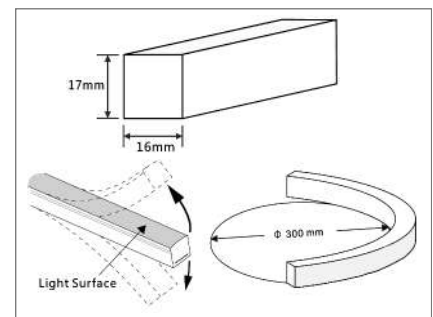
## Specification.

Input Voltage 24 VDC  
 Power 7.2 W/m  
 LEDs 108/m  
 Colour Red  
 Max continuous length 15 m  
 (powered from one end)  
 IP Rating IP 68  
 LED Estimated Life Span 50,000 Hrs  
 LED SMD  
 CRI  $\geq 80$   
 Beam Angle 160°  
 Operating Temperature -20 °C to +45 °C

## Light Output.

(lumen/metre of LED internal)

	108 LEDs
Red	130 lm/m



Product specification subject to change without prior notice.

