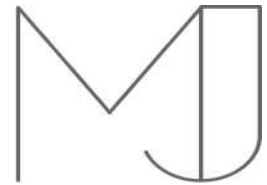


# LightWave Tunable White.



## Features.

Flexible Homogenous LED Linear  
High quality  
Tunable, Dual colour  
Standard brightness  
Fully encapsulated  
Suitable for curved as well as straight line installations.  
Small bend radius of just 30 cm (only one axis)  
Flame, UV, solvents and water resistant  
Cable feed entry options: end, side or rear  
83.3 mm cut increment  
3 Year Warranty

## Accessories.

Standard mounting clips  
Mounting channel  
Curved mounting channel  
Suspension kit

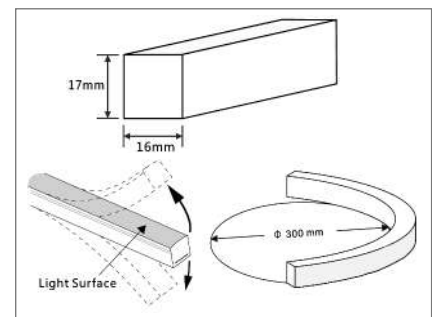
## Specification.

Input Voltage	24 VDC
Power	12 W/m
LEDs	144/m
Colour	Dynamic White 2500K - 5000K
Max continuous length	10 m (powered from one end)
IP Rating	IP 68
LED Estimated Life Span	50,000 Hrs
LED	SMD
CRI	≥ 80
Beam Angle	160°
Operating Temperature	-20 °C to +45 °C

## Light Output.

(lumen/metre of LED internal)

	84 LEDs
2500K	180 lm/m
3500K	180 lm/m
5000K	360 lm/m



Product specification subject to change without prior notice.

